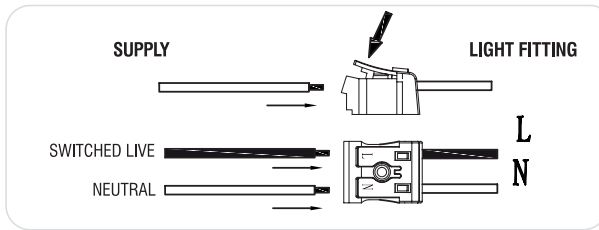


Wiring

Having correctly identified the wiring from your existing light fitting, Pull the mains wire through the hole and connect to the connection block inside in the following way:



Check that...

- You have correctly identified the wires.
- The connections are tight.
- No loose strands have been left out of the connection block.
- When completed, ensure that there are no bare or loose strands of wire exposed, and cover all exposed areas of the connection block with 2 layers of insulation tape.

Technical data

Supply Voltage: 220-240 V~, 50 Hz

Bulb Type: 10W LED module (SMD), 4000K This product contains a light source of energy efficiency class **E**.

  Non-replaceable light source

 Non-replaceable control gear



Conformity with all relevant UKCA Directive requirements.



Conformity with all relevant EC Directive requirements.



The power supply is Double Insulated and does not require connection to an Earth circuit.



Waste electrical products should not be disposed of with household waste. Please recycle where facilities exist. Check with your Local Authority or local store for recycling advice.



This product is not suitable for dimming.



This product is rated at IP44.



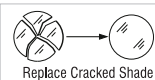
This product is rated at IK08.

Care and Safety

Live Voltages may be present in this unit even when turned off or when completely disconnected.

We recommend cleaning with a soft dry cloth. Do not use solvents or abrasive cleaners as these could damage the finish.

For your safety, always switch off the power supply before changing lightbulbs, or cleaning.



This bulb is protected by a glass shade. This part must be replaced immediately should the glass shade become cracked or damaged. This fitting must not be used without the glass shade in place.

For further information, please visit <https://www.lighting-info.co.uk/91797>

V4 31/03/2024

UK Manufacturer: BH17 7BY

EU Manufacturer: Brilliant AG,
Brillantstrasse 1, D-27442 Gnarrenburg

saxby
lighting

Instruction manual

Onan Shaver

91797



www.saxbylighting.com

saxby
lighting

Thank you for purchasing this light fitting. Please read the instruction carefully before use to ensure safe and satisfactory operation of this product. Please retain these instruction for future reference.

Warning

 This light fitting is double insulated and does not require connection to an Earth circuit.

Please read these instructions carefully before commencing any work.

This unit must be fitted by a competent and qualified electrician.

Install in accordance with the IEE Wiring regulations and current Building Regulations.

Check the pack and make sure you have all the parts listed.

To prevent electrocution switch off at the mains supply before installing or maintaining this fitting. Ensure other persons cannot restore the electrical supply without your knowledge. If you are in any doubt, please consult a qualified electrician.

This light fitting should be connected to a fused circuit.

If replacing an existing fitting, make a careful note of the connections.

Take care not to drill into any pipes or mains cables beneath the surface during mounting holes preparation.

The output current rating of the shaver socket is 0.1A when 110V and 0.05A when 230V.

The shaver socket is powered by a 10W isolating transformer and is only intended for use with electric shavers, electric toothbrush chargers and similar products.

Any appliance connected to the socket must not exceed the 10W power output as this could cause damage and overheating to occur. Always check your appliance instructions to ensure the power requirements are less than 10W.

If any modification is made it will invalidate the warranty and may render the product unsafe.

Waste electrical products should not be disposed of with household waste. Please recycle where facilities exist. Check with your local authority or retailer for recycling advice.

Layout

Plan the desired layout of these fittings carefully, ensuring the cables will reach the distances between the junction box and the light fitting.

Avoid locating any cables in positions that would cause a hazard. Position cables and junction boxes (not supplied) away from areas where they may be at risk from being cut, trapped or damaged.

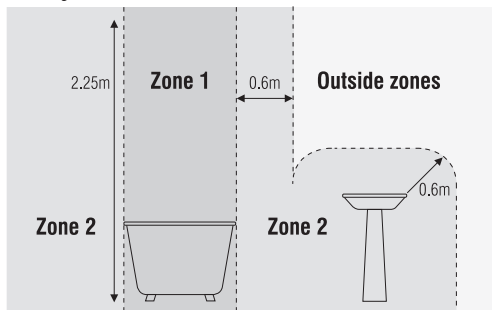
The mains supply cable must have a minimum cross section area of 1.0mm².

Cables must be protected using suitable conduit or plastic trunking.

This product has special protection against the ingress of moisture and is IP44 rated

This product is suitable for use bathroom zone 2 and outside zones of a bathroom only. Please see diagram in right.

If this unit is being fitted in Zone 1 a room containing a bath or shower, a 30mA RCD must be used - in accordance with IEE regulations.



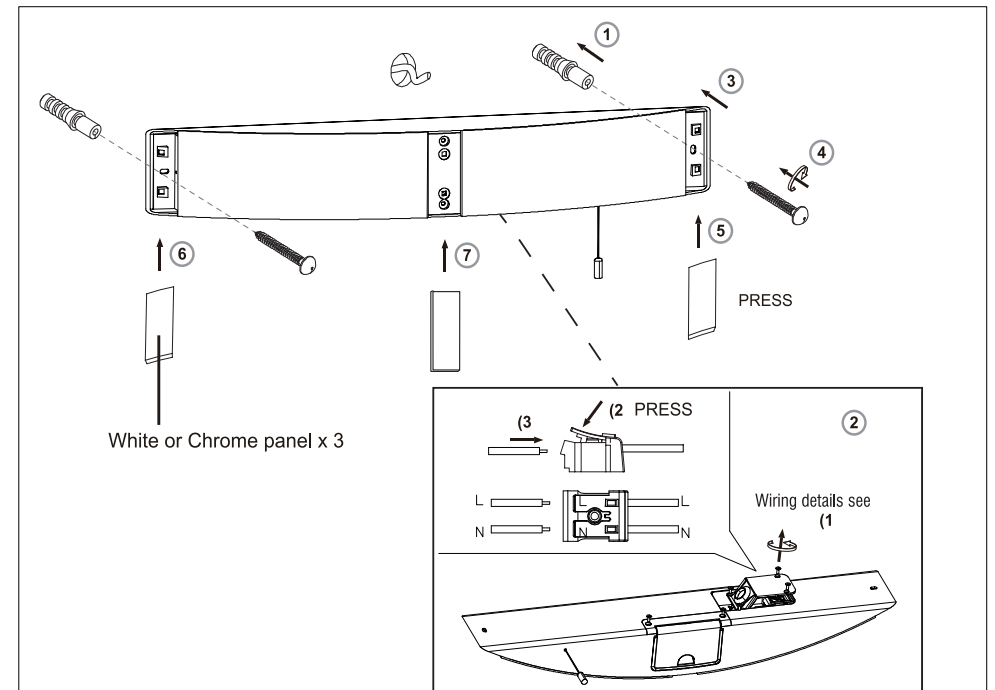
Installation

Existing fittings must be completely removed before installation of a new product. Before removing the existing fitting, carefully note the position of each set of wires.

Note that the power needs to be isolated/switched off at the fuse board.

Ensure that the screws and cable entry points are sealed to maintain the IP rating of the product.

- Decide on the position of the light fitting, or remove existing light fitting. Note the position of the electrical connections. Ensure there is a solid mounting surface to support the weight of the light fitting.
- Remove the terminal cover, then support your fitting, feed the cable through the cover (use a pencil to pierce the rubber grommet) and connect the house wiring to the terminal block (Ref. wiring diagram). **NOTE: This is a Class II fitting and must NOT be earthed.** Re-fit the terminal cover, ensuring no wires are damaged, trapped or let exposed. Check the seal, use sealant if required.
- Secure the fitting to the wall using appropriate fixings
- Choose your preferred colour 3 x white or chrome panels provided to press in the light fitting.
- Replace fuse or circuit breaker and switch on. Your light is now ready for use.



3 x white & chrome panels provided for preference

